



INSTRUCTIONS

For one 1 3/8" or 1 3/4" door up to 75 lbs.

2800F Series Double Fascia Open Pocket Single Door

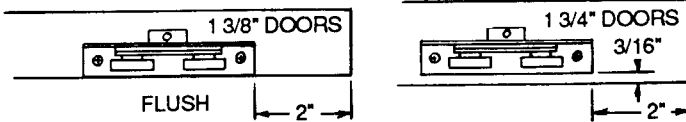
Prepare opening as shown. If necessary, cut track to fit. Fasten track to header with #8 x 1 1/4" screws. **MAKE SURE TRACK IS ABSOLUTELY LEVEL** or door will not stay in position.

(A mirror panel on the pocket wall is very convenient!)

Fasten 1513 BUMPER to pocket jamb.

Dismantle 12 Guide and fasten base to jamb at floor level.

Attach hangers to top edge of door with #8 x 1 1/4" screws 2" from each edge. On 1 3/8" doors, hanger base is placed flush with front face of door. On 1 3/4" doors, base is set back 3/16" from front face.



Tilt top of doors back and set hanger wheels on channel of track. (In vertical position, wheels will not jump track).

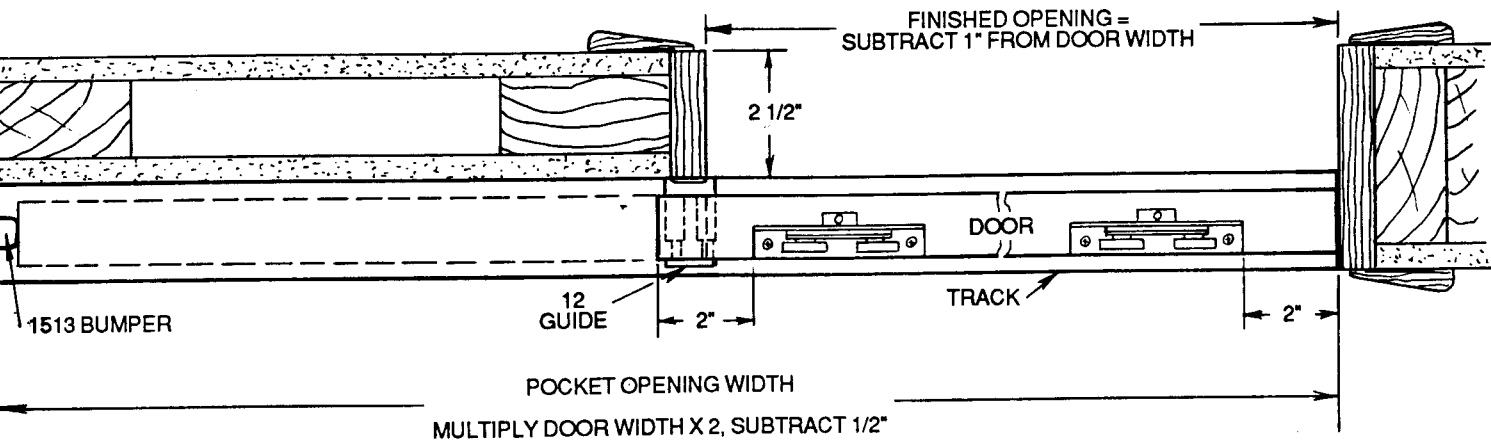
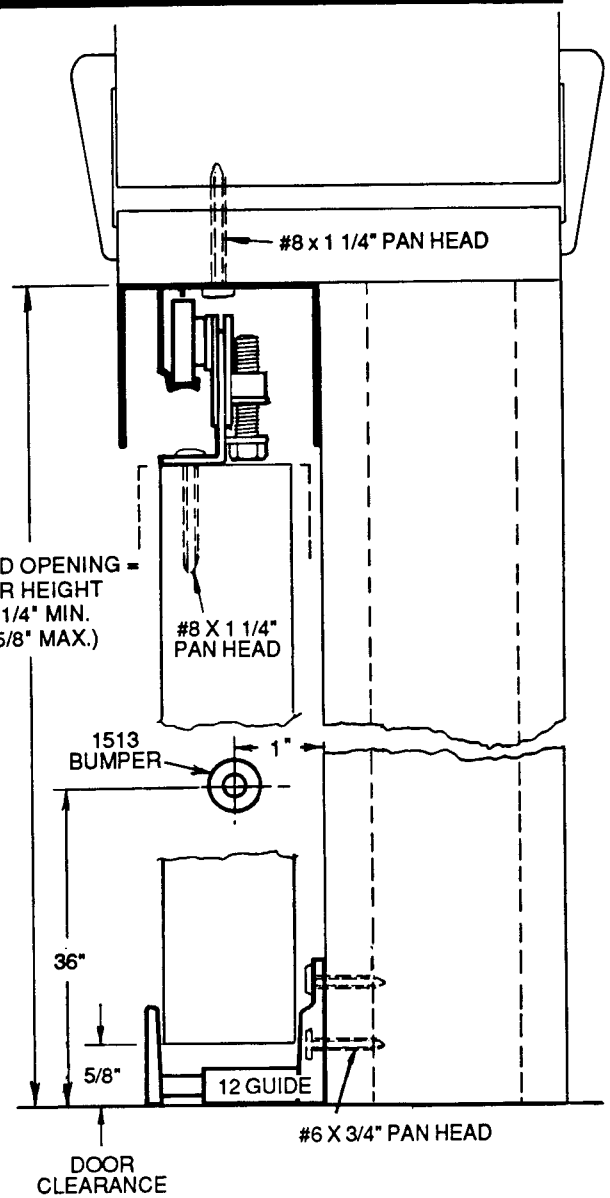
Reinsert front half of 12 GUIDE and position so that door slides freely. Fasten with 2 screws.

Adjust hangers if necessary to plumb door with jamb.

Finish trim as desired.

Drill to fit pulls, 36" from floor.

PLEASE NOTE: The hanger adjustment is to be used only to level and square the door.



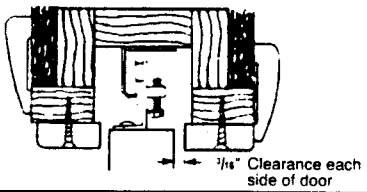
HOW TO CONSTRUCT A POCKET DOOR FRAME

- ① Cut stock as shown in chart for desired door size:

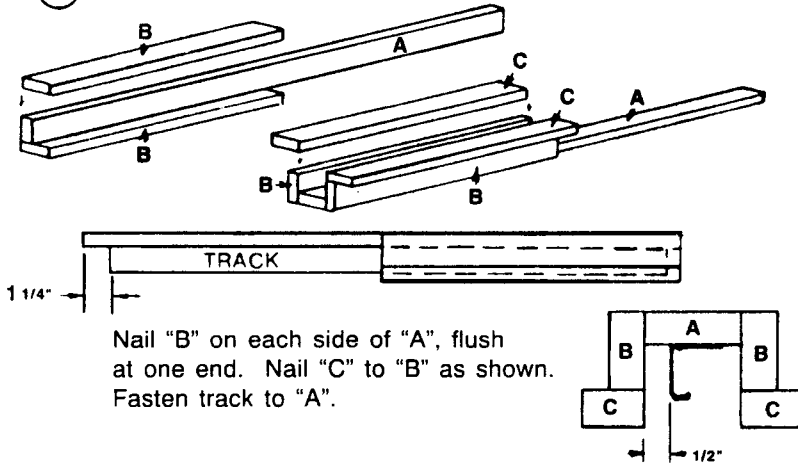
SET SIZE	24" DR.	28" DR.	30" DR.	32" DR.	36" DR.	PCS. EA. REQ.
	48	60	60	64	72	
TRACK LENGTH	45 1/2	53 1/2	57 1/2	61 1/2	69 1/2	1
A 3/4 X 2	48 3/4	56 3/4	60 3/4	64 3/4	72 3/4	1
B 3/4 X 1 5/8	24 7/8	28 7/8	30 7/8	32 7/8	36 7/8	2
C 3/4 X 1 5/16	24 7/8	27 7/8	30 7/8	32 7/8	36 7/8	2
D 3/4 X 3 1/2	23 7/8	27 7/8	29 7/8	31 7/8	35 7/8	10
E 3/4 X 2	23 7/8	27 7/8	29 7/8	31 7/8	35 7/8	1

	6'8" DOOR HEIGHT	7'0" DOOR HEIGHT	PCS. EACH REQ.
F 3/4 X 2	83 7/8	87 7/8	1
G 3/4 X 1 5/16	82 1/4	86 1/4	2

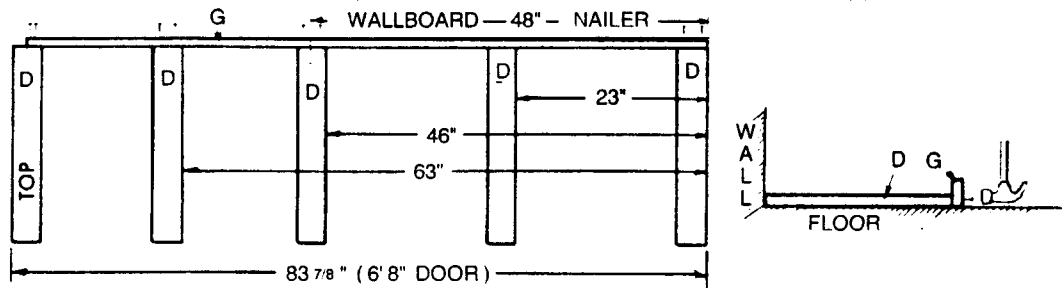
SUGGESTED FINISH TRIMS



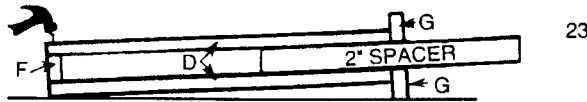
- ② Assemble header.



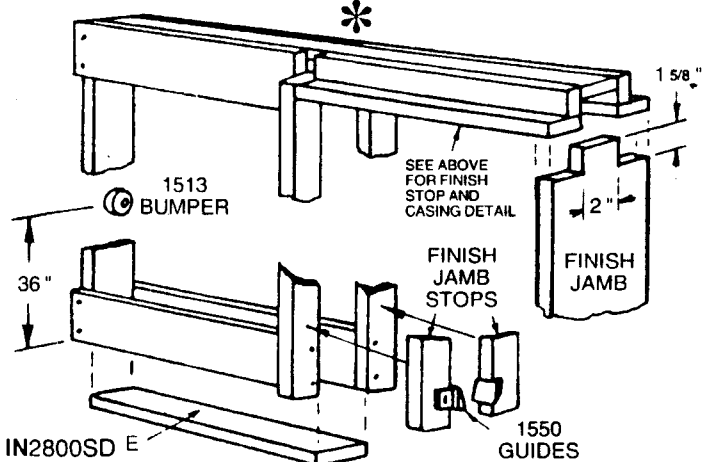
- ③ Assemble two side frames. Mark "G" as shown for location of side members "D" (Note: Center member is located to enable nailing of wall board if used in horizontal placement). Butt ends of "D"s against wall, or other firm surface, and nail G to D's. Repeat with other side, but measure from opposite end of G.



- ④ Place F between the two sides (Place 2" wide spacer between other side) and nail in place.



- ⑤ Insert E between sides at bottom of frame and nail in place. Position header assembly between sides at top of frame and "tack" in place until frame is in final position in wall. Fasten bumper 36" from bottom on G.



- ⑥ Place assembled frame into wall opening and fasten temporarily in position. Shim to obtain perfect plumbness of front edge and absolute level of track. (Door will not stay open or closed if track is not level). Finish nailing frame and header in place. Notch end of finish jamb as shown, slip into header and fasten to studs.



- ⑦ Mount hangers on top of door. Tilt door and hang on track. Check for proper operation of door. When gliding satisfactorily, SCREW finish jamb stops to frame (G) and fasten 1550 Guides at bottom. Apply wall materials to outside of frame using nails that will not penetrate pocket opening. Screw finish head stops in place and apply casing around opening as desired.

