

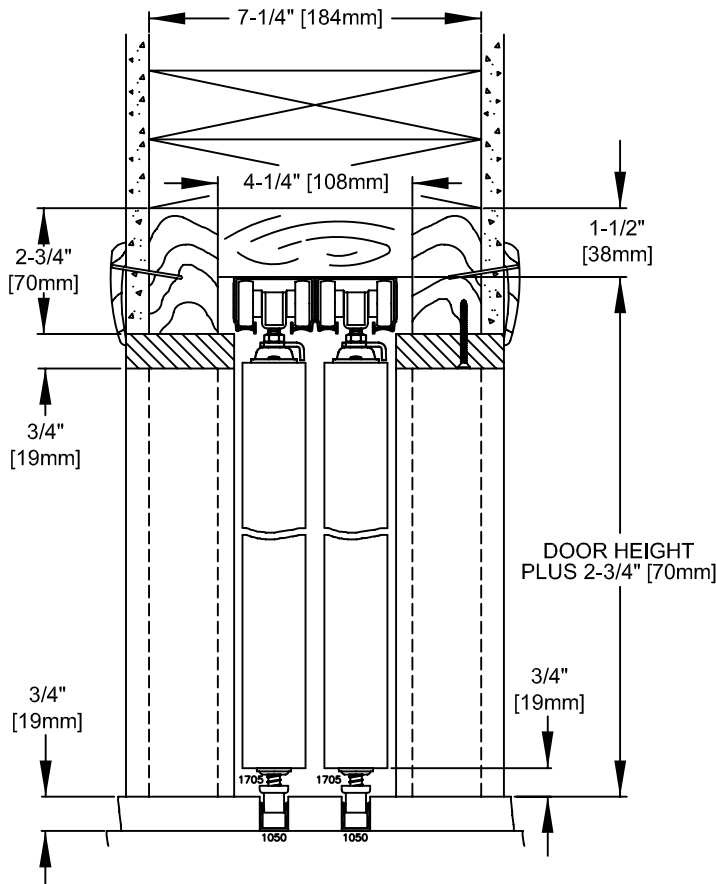
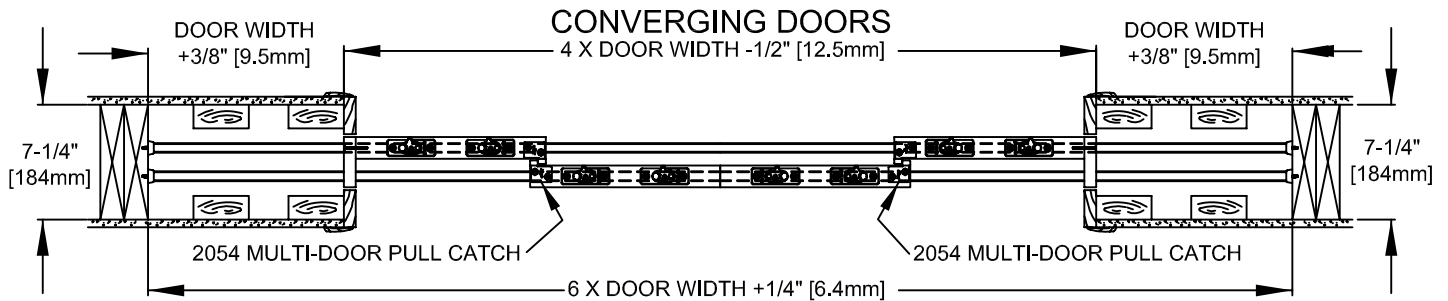
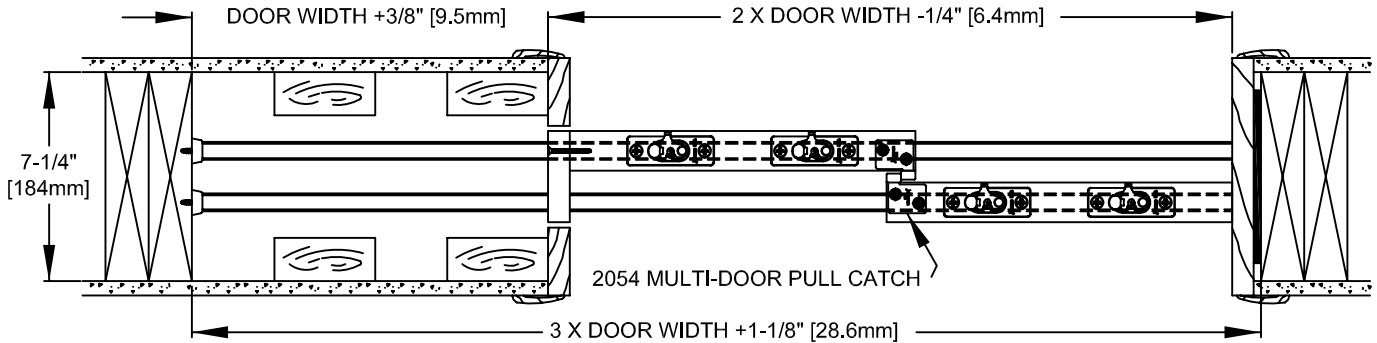


www.johnsonhardware.com

INSTRUCTIONS

MULTI-PASS POCKET DOOR 100PD SERIES

SPECIAL DOUBLE
POCKET APPLICATION
100 PD SERIES HARDWARE
FOR 1-1/8" (28mm)
TO 1-3/4" (45mm)
100PD - 200 lb. (91 kg.)



JOHNSON 100 SERIES 100PD SERIES NECESSARY COMPONENTS

- 2 - 100 SERIES TRACKS
- 2 - 1050 BOTTOM TRACKS
- 4 - 1125 HANGERS
- 2 - 1513 BUMPER
- 4 - 1705 BOTTOM GUIDES
- 1 - 2054PLBG MULTI-DOOR PULL CATCH
- 1 - 1712 ADJUSTMENT WRENCH
- 1 - 1155 STOP

CONVERGING JOHNSON 100 SERIES 100PD SERIES NECESSARY COMPONENTS

- 4 - 100 SERIES TRACKS
- 4 - 1050 BOTTOM TRACKS
- 8 - 1125 HANGERS
- 4 - 1513 BUMPER
- 8 - 1705 BOTTOM GUIDES
- 2 - 2054PLBG MULTI-DOOR PULL CATCH
- 2 - 1712 ADJUSTMENT WRENCH
- 4 - 1155 STOP