

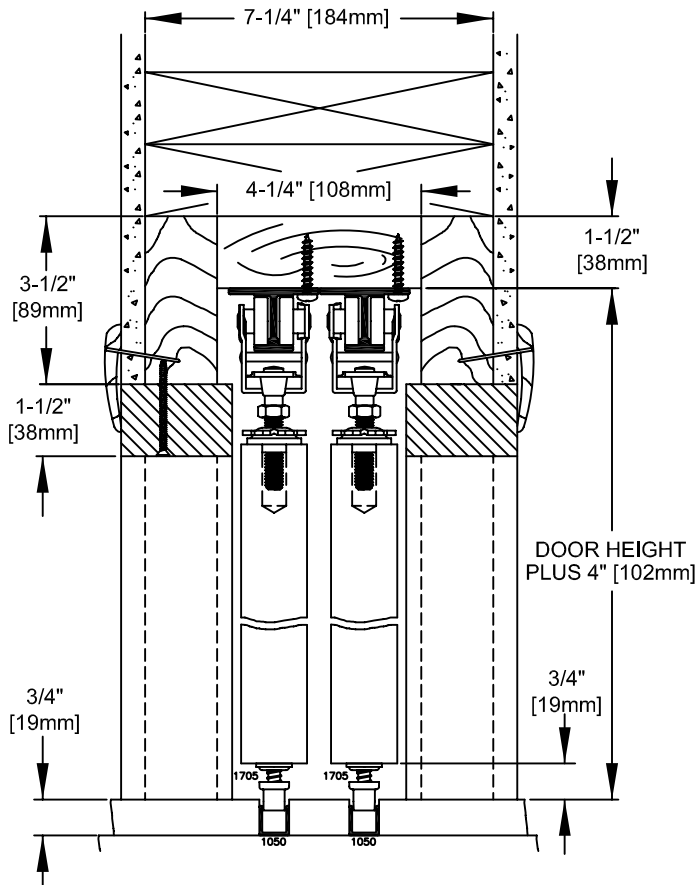
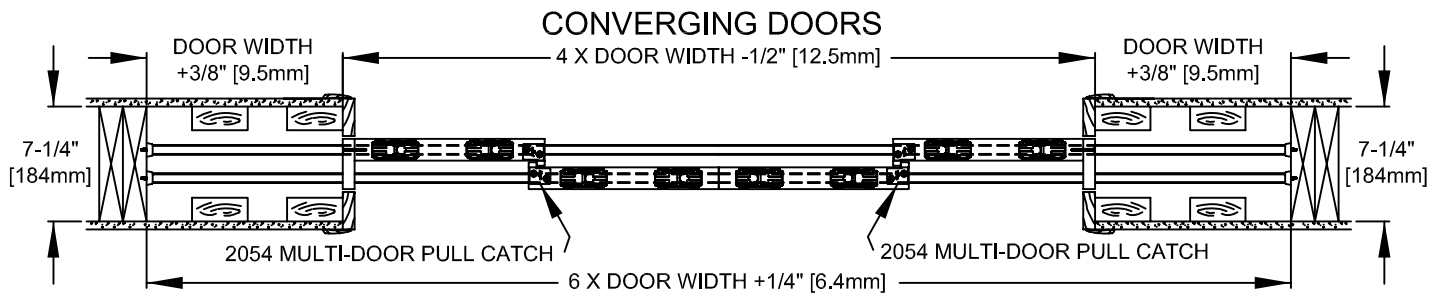
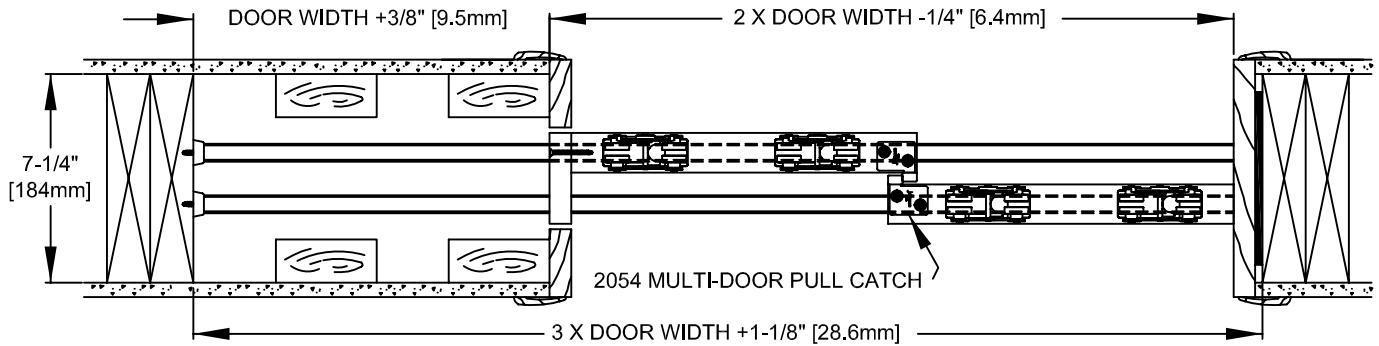


INSTRUCTIONS

SPECIAL DOUBLE
POCKET APPLICATION
200PD SERIES HARDWARE
FOR 1-1/8" (28mm)
TO 1-3/4" (45mm)
200PD - 300 lb (136 kg.)

www.johnsonhardware.com

MULTI-PASS POCKET DOOR 200PD SERIES



JOHNSON 200 SERIES

200PD SERIES NECESSARY COMPONENTS

- 2 - 200 SERIES TRACKS
- 2 - 1050 BOTTOM TRACKS
- 4 - 2020 HANGERS
- 2 - 1513 BUMPER
- 4 - 1705 BOTTOM GUIDES
- 1 - 2054PLBG MULTI-DOOR PULL CATCH
- 1 - 2055 STOP

CONVERGING JOHNSON 200 SERIES

200PD SERIES NECESSARY COMPONENTS

- 4 - 200 SERIES TRACKS
- 4 - 1050 BOTTOM TRACKS
- 8 - 2020 HANGERS
- 4 - 1513 BUMPER
- 8 - 1705 BOTTOM GUIDES
- 2 - 2054PLBG MULTI-DOOR PULL CATCH
- 4 - 2055 STOP